



Frankfurt

Shower and Commode Chair, height adjustable

Hygiene Equipment
Designed for People

Rebotec Frankfurt

A durable, long lasting shower chair with an easy-to-clean design and a height adjustable seat.



Registered at Medical Products Agency, Germany, as a MD Class 1 product, MDR 2017/745.

TR reserves the right to make design changes and/or improvements without notice.



Rebotec Frankfurt has soft and durable polyurethane seat for comfortable seating and easy cleaning. The shower chair has 5" hospital grade swiveling and locking castors for secure transfer. Hygiene opening can easily be moved from the front to the back. Hygiene bucket with vacuum seal top included.



TR EQUIPMENT

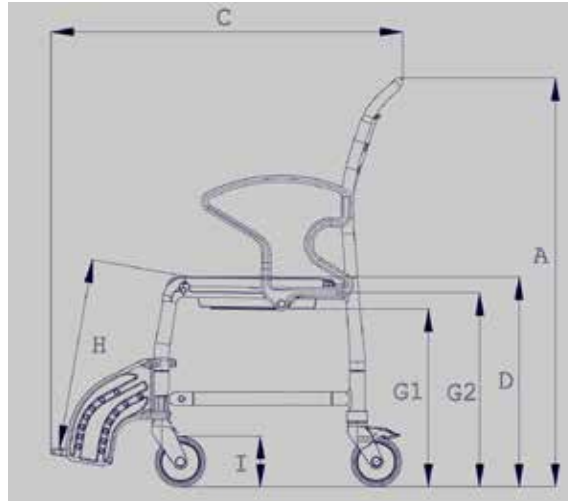
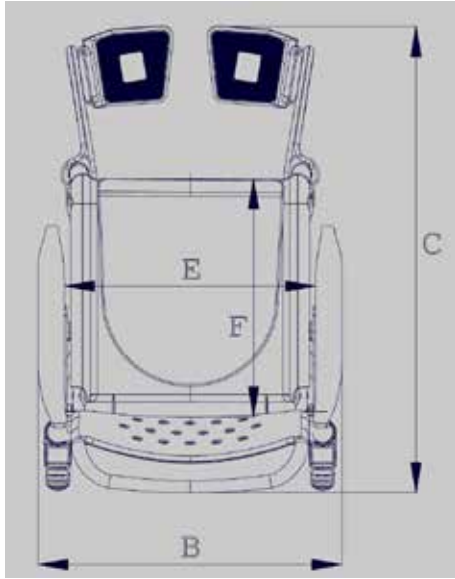


Frankfurt

Shower and Commode Chair, height adjustable

Hygiene Equipment
Designed for People

Dimensions



Technical specifications

Dimensions		
A. Height	101 cm	40"
B. Width	56 cm	22"
C. Depth	87 cm	34"
D. Seat height	56-61 cm	22-24"
E. Seat width	46 cm	18"
F. Seat depth	45 cm	18"
G1. Max. height toilet (with pan receptacle)	44-49 cm	17,3-19,3"
G2. Max. height toilet (without pan receptacle)	48-53 cm	18,9-20,9"
H. Foot height	48 cm	19"
I. Castor	13 cm	5"
Body weight max.	130 kg	290 lbs
Product weight	18 kg	39 lbs

Equipment

- Ergonomically shaped backrest with integrated hand grip for caregiver aid
- Swinging armrests enable easy side transfer
- Hygiene opening can easily be moved from the front to the back
- Height adjustable, swinging and removable foot supports standard
- 5" hospital grade swiveling and locking castors for secure transfers
- Soft and durable polyurethane seat allows for comfortable seating and easy cleaning
- Polyamide nylon construction with stainless steel fasteners guarantees no rust
- Hygiene bucket with vacuum seal top included
- Approved up to 290 lbs body weight
- Five year warranty on frame for long lasting confidence

Accessories

- Safety Belt for waist
- Belt Comfort Pad
- Arm rest
- Splash-Protection
- IV Pole

Art no

322.30.20
322.10.50
440.10.32
440.10.40
440.00.93

Head office
TR Equipment AB, Sweden
Phone: +46 140 38 50 60
info@trequipment.se
www.trequipment.com

TR Group Inc
130 North Madison Street
Rockford, IL61107, USA
Phone: +1 (800) 752 6900
Email: information@trequipment.com
www.trequipment.com



TR EQUIPMENT