



# TR 2810 Shower Panel

Hygiene Equipment  
Designed for People

## TR 2810 Complete Shower System, with thermostatic mixing valve

TR 2810 is a shower panel with thermostatic mixing valve and a separate cleaning system that together with TR shower trolleys fulfill a complete shower system. This system means care is comfortable, safe and hygienic for both resident and attendant. TR 2810 is now available with a mechanical lock for cleaning detergent bottle (option).

CE



Registered at Medical Products  
Agency, Sweden,  
as a MD Class 1 product,  
MDD 93/42EEC.

TR reserves the right to make  
design changes and/or  
improvements without notice.



TR 2810 is a shower panel with a built in thermostatic mixing valve and separate on/off valves for the shower system and the cleaning system. The cleaning system runs on cold water to minimize inhalation when cleaning equipment, the panel has a built in bottle for cleaning detergent. TR 2810 is now available with a mechanical lock for cleaning detergent bottle (option).

The TR 2810 together with TR shower trolleys is a combined shower system which gives both resident and attendant comfortable hygienic care with high quality.



TR EQUIPMENT



# TR 2810 Shower Panel

Hygiene Equipment  
Designed for People

## Features

### Easily operated

- Easily operated thanks to clear and clean design.

### Cleaning system

- Intergrated hygienic and safe cleaning system for easy cleaning of equipment.

### Cleaning detergent

- Built in bottle for cleaning detergent which are automatically mixed with cold water in the cleaning system.

### Shower hose thermometer

- Thermometer on the shower hose available as option to read shower temperature.

### Hot and cold water supply for patient shower:

- Thermostatic mixer
- Valve for patient shower
- Shower spray handle
- Patient shower hose white

### Cold water supply, for cleaning:

- Safety valve for equipment cleaning
- Cleaning spray handle. **NOTE:** Never to be used on patients.
- Cleaning shower hose yellow
- Cleaning detergent filling
- Cleaning flow setting valve inside panel

### Option

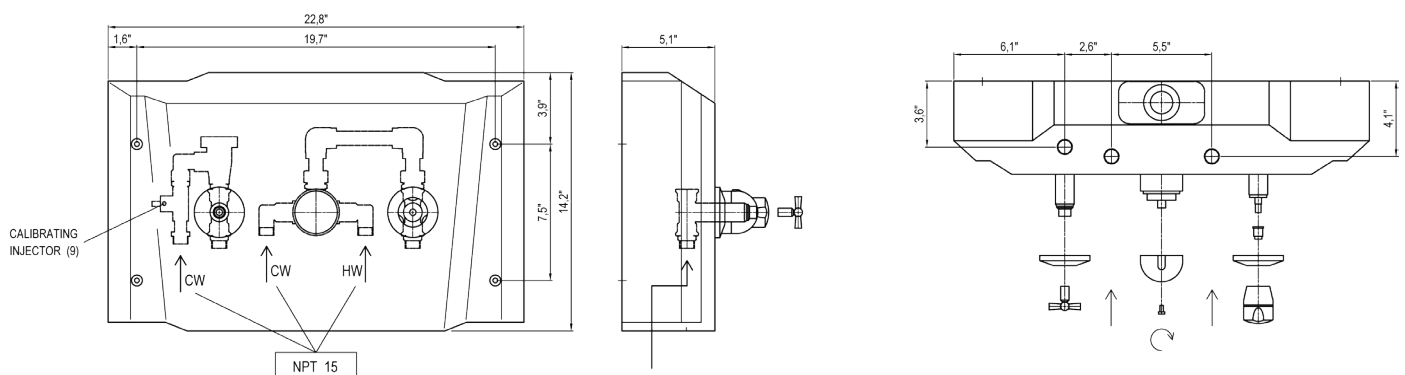
- TR 2810 is now available with a mechanical lock for cleaning detergent bottle.

## Specifications



<b>Width</b>	580 mm/23"
<b>Height</b>	360 mm/15"
<b>Depth</b>	130 mm/5"
<b>Recommended mouting height from floor</b>	1250 mm/49"
<b>Min. Dynamic water pressure</b>	0,15 Bar
<b>Max. Dynamic water pressure</b>	5 Bar

## Dimensions (mm)



### Head office

TR Equipment AB, Sweden  
Phone: +46 140 38 50 60  
info@trequipment.se  
[www.trequipment.com](http://www.trequipment.com)

### TR Group Inc

130 North Madison Street  
Rockford, IL61107, USA  
Phone: +1 (800) 752 6900  
Email: [information@trequipment.com](mailto:information@trequipment.com)  
[www.trequipment.com](http://www.trequipment.com)



TR EQUIPMENT