



# Phoenix

## Reclining Shower Chair

Hygiene Equipment  
Designed for People

### Rebotec Phoenix

A durable reclining shower chair with an easy-to-clean design. Polyamide nylon construction with stainless steel fasteners guarantees no rust.

CE



Registered at Medical Products Agency, Germany, as a MD Class 1 product, MDD 93/42EEC.

TR reserves the right to make design changes and/or improvements without notice.



Reclining shower chair with tilting adjustment infinitely variable. Simple to maintain as well as a completely mechanical design. Soft and durable polyurethane seat, backrest and leg support allows for comfortable positioning and easy cleaning. Hygiene bucket with vacuum seal top included.



TR EQUIPMENT

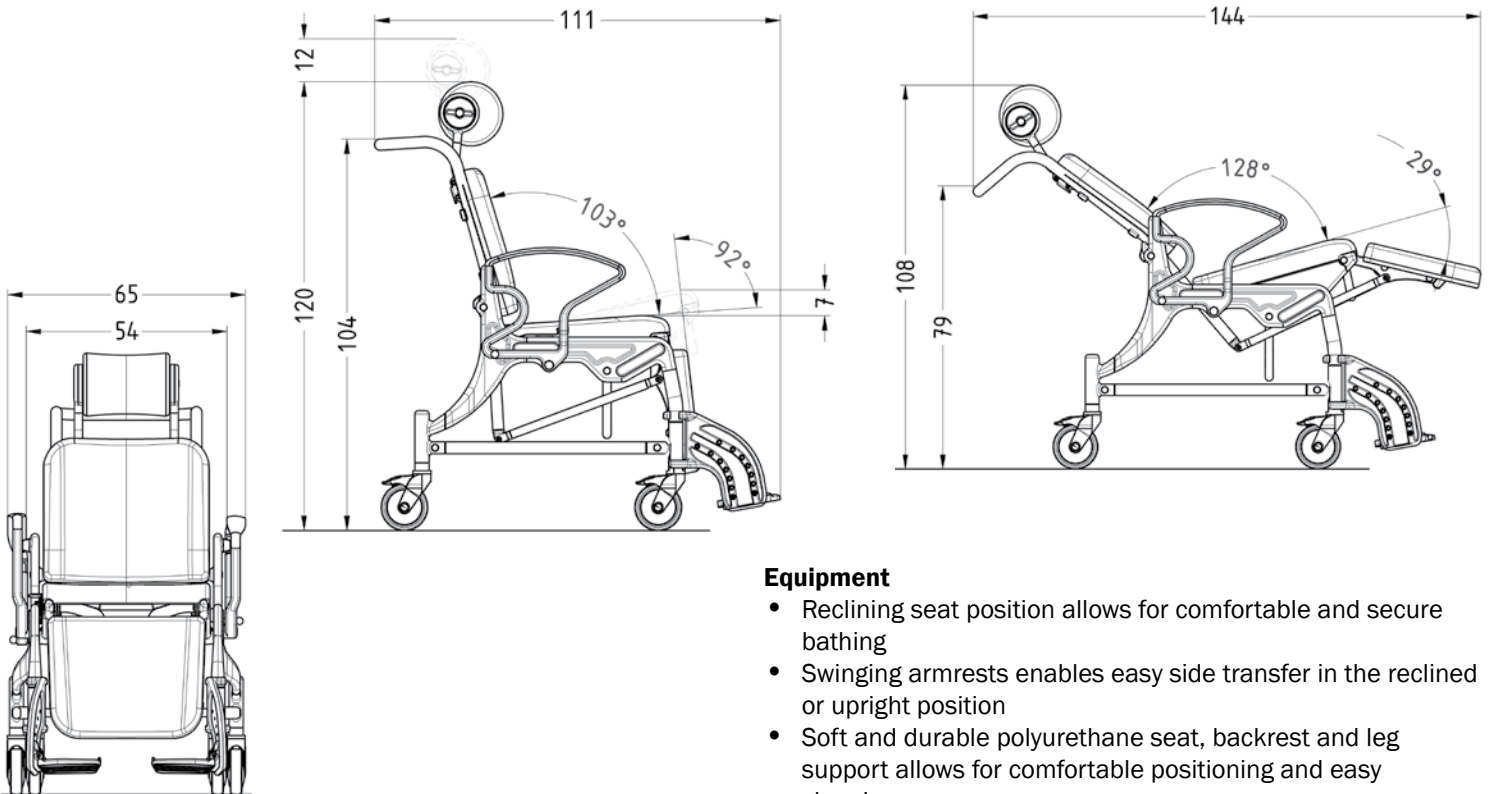


# Phoenix

## Reclining Shower Chair

Hygiene Equipment  
Designed for People

### Dimensions (cm)



### Technical specifications

Dimensions		
Height	120 cm	47"
Width	65 cm	25,6"
Depth	111 cm	43,7"
Seat height	58 cm	22,8"
Seat width	54 cm	21"
Seat depth	43 cm	17"
Body weight max.	150 kg	330 lbs
Product weight	29 kg	63 lbs

### Equipment

- Reclining seat position allows for comfortable and secure bathing
- Swinging armrests enables easy side transfer in the reclined or upright position
- Soft and durable polyurethane seat, backrest and leg support allows for comfortable positioning and easy cleaning
- Height adjustable, swinging and removable foot supports standard
- 5" hospital grade swiveling and locking castors for secure transfers
- Polyamide nylon construction with stainless steel fasteners guarantees no rust
- Hygiene bucket with vacuum seal top included
- Approved up to 330 lbs body weight
- Five year warranty on frame for long lasting confidence

### Accessories

- |                                    |           |
|------------------------------------|-----------|
| • Safety Belt, leg belt            | 322.30.10 |
| • Safety Belt, for chest and waist | 322.30.20 |
| • Belt Comfort Pad                 | 322.10.50 |
| • Comfort headrest                 | 450.10.59 |
| • Arm rest                         | 440.10.32 |
| • Splash-Protection                | 440.10.40 |
| • IV Pole                          | 440.00.93 |

**Head office**  
TR Equipment AB, Sweden  
Phone: +46 140 38 50 60  
info@trequipment.se  
[www.trequipment.com](http://www.trequipment.com)

**TR Group Inc**  
130 North Madison Street  
Rockford, IL61107, USA  
Phone: +1 (800) 752 6900  
Email: [information@trequipment.com](mailto:information@trequipment.com)  
[www.trequipment.com](http://www.trequipment.com)



**TR EQUIPMENT**