



# TR 2000/3000 Shower Trolleys

Hygiene Equipment  
Designed for People

TR 2000/3000, makes both showering  
and transfers easier for attendants

The TR 2000 hydraulic and TR 3000 battery operated shower trolley is unique with its side mounted column, allowing the trolley stretcher to overlap the bed further for a safe and easy resident transfer. Both models available in 3 different lengths.

CE



Registered at Medical Products  
Agency, Sweden,  
as a MD Class 1 product,  
MDD 93/42EEC.

TR reserves the right to make  
design changes and/or  
improvements without notice.



The trolley assists and functions already at the bed side allowing the attendant to have easy access to the trolley controls including height adjustment, stretcher tilt, castor brakes and straight steering. The trolley stretcher has drains at both ends allowing the person to be positioned in either direction. There is no head or foot end specified.



**TR EQUIPMENT**



# TR 2000/3000 Shower Trolleys

Hygiene Equipment  
Designed for People

## Features

- Foot operated and height adjustable enables the attendant to find the most efficient and convenient working height and gives the attendant both hands free to tend to the patient.
- Thanks to the belt driven high/low device on the TR 3000 it operates quietly, smoothly and free from sudden movements. The height adjustment is driven by two high capacity rechargeable batteries and when charging is needed an audible tone sounds.
- The stretcher can easily be tilted to the "Trendelenburg" position, to alleviate person in shock. The stretcher can move in either direction with the tilt control handle located at both ends. The tilt position is controlled by gas springs so that the attendant has infinite tilt positions within the tilt range.
- The large castors with brakes and low angled legs with straight steering castors are features that make the trolley easy to steer and maneuver.
- The low center of gravity of the chassis lends stability to the trolley.
- The side rails can be pressed together when traveling through narrow doorways reducing the trolley width.
- The chassis is made of powder coated stainless and zinc plated steel.
- Designed for easy cleaning.



TR 3000 Battery operated - Back of chassis



Color options on mattresses



TR 2000 Hydraulic - Back of chassis



TR 2000 Hydraulic - High chassis and  
TR 3000 Battery operated - High chassis

## Specifications



<b>Length</b>	1600/1900/2100 mm (63"/75"/83")
<b>Width</b>	705 mm (27 3/4")
<b>Height</b>	625-925 mm (24 1/2" - 36 1/2"), Standard 685-985 mm (27" - 39"), High chassis, option
<b>Working Load Limit</b>	150 kg (330 lbs) (Patient + Water)
<b>Chassis</b>	Powder coated stainless and zinc plated steel
<b>Castors</b>	Two castors with brakes and two with straight steering
<b>Control</b>	Foot control for height adjustment
<b>Mattress, Pillow</b>	Flame retardant material - Grey (Standard)/Yellow or Blue (Option)
<b>Battery (TR 3000)</b>	Rechargeable, 24 V

### Models - Hydraulic

TR 2000	Standard	L = 1900 mm
TR 2000 - S	Pediatric	L = 1600 mm
TR 2000 - L	Long	L = 2100 mm

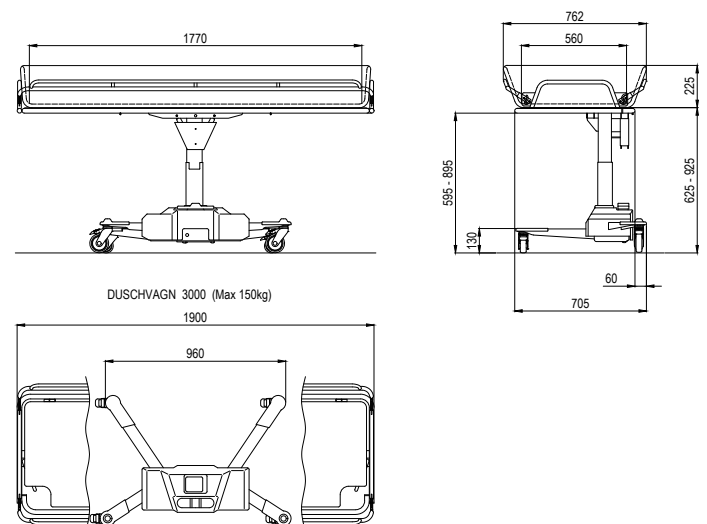
### Models - Battery Operated

TR 3000	Standard	L = 1900 mm
TR 3000 - S	Pediatric	L = 1600 mm
TR 3000 - L	Long	L = 2100 mm

### Accessories/Options

- Backrest wedge pillow
- For slinglift transfers, a factory mounted set of castors allowing a minimum of 135 mm free space under the front legs can be added. It raises the trolley stretcher 60 mm.
- All models can be delivered with blue or yellow mattress and pillow.
- Fastners/straps for attachment on mattresses to siderails.
- Safety rails in 100 % powder coated stainless steel

### Dimensions (mm)



### Head office

TR Equipment AB, Sweden  
Phone: +46 140 38 50 60  
info@trequipment.se  
[www.trequipment.com](http://www.trequipment.com)

### Group Subsidiaries

TR Group Inc, US, Phone: +1 (800) 752 6900  
TR Equipment Ltd, UK, Phone: +44 (0) 844 335 8386  
TRanspoRehaMed GmbH, Germany, Phone: +49 (0) 212 645850-0



**TR EQUIPMENT**