



# Berlin

## Shower and Commode Chair

Hygiene Equipment  
Designed for People

### Rebotec Berlin

A durable, long lasting shower chair with an easy-to-clean design. Polyamide nylon construction with stainless steel fasteners guarantees no rust.



Registered at Medical Products Agency, Germany, as a MD Class 1 product, MDD 93/42EEC.

TR reserves the right to make design changes and/or improvements without notice.

Rebotec Berlin has soft and durable polyurethane seat for comfortable seating and easy cleaning. The shower chair has 5" hospital grade swiveling and locking castors for secure transfer. Hygiene opening can easily be moved from the front to the back. Hygiene bucket with vacuum seal top included.



**TR EQUIPMENT**

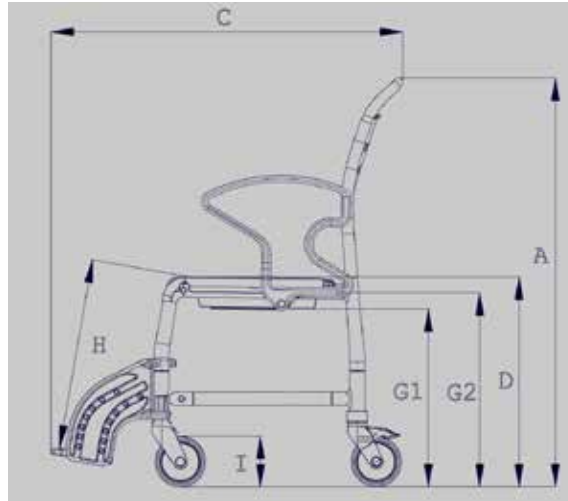
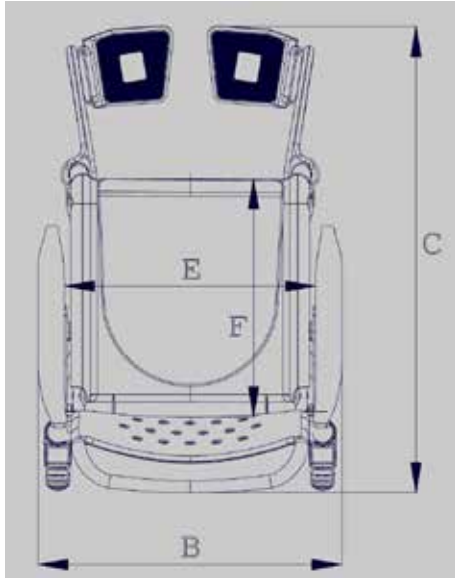


# Berlin

## Shower and Commode Chair

Hygiene Equipment  
Designed for People

### Dimensions



### Technical specifications

Dimensions		
<b>A. Height</b>	101 cm	40"
<b>B. Width</b>	56 cm	22"
<b>C. Depth</b>	87 cm	34"
<b>D. Seat height</b>	55 cm	21,6"
<b>E. Seat width</b>	46 cm	18"
<b>F. Seat depth</b>	45 cm	18"
<b>G1. Max. height toilet (with pan receptacle)</b>	43 cm	17"
<b>G2. Max. height toilet (without pan receptacle)</b>	47 cm	18,5"
<b>H. Foot height</b>	48 cm	19"
<b>I. Castor</b>	13 cm	5"
<b>Body weight max.</b>	130 kg	290 lbs
<b>Product weight</b>	15,9 kg	35 lbs

### Equipment

- Ergonomically shaped backrest with integrated hand grip for caregiver aid
- Swinging armrests enable easy side transfer
- Hygiene opening can easily be moved from the front to the back
- Height adjustable, swinging and removable foot supports standard
- 5" hospital grade swiveling and locking castors for secure transfers
- Soft and durable polyurethane seat allows for comfortable seating and easy cleaning
- Polyamide nylon construction with stainless steel fasteners guarantees no rust
- Hygiene bucket with vacuum seal top included
- Approved up to 290 lbs body weight
- Five year warranty on frame for long lasting confidence

### Accessories

- Safety Belt for waist
- Belt Comfort Pad
- Arm rest
- Splash-Protection
- IV Pole

### Art no

322.30.20  
322.10.50  
440.10.32  
440.10.40  
440.00.93

**Head office**  
TR Equipment AB, Sweden  
Phone: +46 140 38 50 60  
info@trequipment.se  
[www.trequipment.com](http://www.trequipment.com)

**TR Group Inc**  
130 North Madison Street  
Rockford, IL61107, USA  
Phone: +1 (800) 752 6900  
Email: [information@trequipment.com](mailto:information@trequipment.com)  
[www.trequipment.com](http://www.trequipment.com)



**TR EQUIPMENT**