



TR 900 Bathtub

*Hygiene Equipment
Designed for People*

TR 900 The Friendly bath

The friendly functional design of the TR 900 integrated bathtub and panel makes it simple and convenient to operate. The smooth and soft design also makes it easy to clean and maintain.

CE



Registered at Medical Products Agency, Sweden, as a MD Class 1 product, MDD 93/42EEC.

TR reserves the right to make design changes and/or improvements without notice.



The TR 900 Whirlpool models improve the patient's well being. The relaxing whirlpool effect stimulates the circulation and assists in washing the patient.

The TR 900 Autofill bath models are even more simple and efficient for the staff to use. No waiting or observation time when prefilling the bathtub.



TR EQUIPMENT



TR 900 Bathtub

Hygiene Equipment
Designed for People

Features

- The 3/4" (22 mm) thermostatic mixing valve, the 3/4" internal piping and the double filling spouts give a good water flow and short filling time.
- The digital LED thermometer shows the shower and bathtub filling water temperature and the Autofill models also show the still water temperature in the bathtub.
- The cleaning system with yellow hose (see picture) is mixed with cold water to minimize inhalation of the cleaning mixture, which is pre-set at the factory to avoid unnecessary alteration.
- Unique whirlpool inlet cleaning adapter. The whirlpool bath models allow you to regulate both jet direction and the quantity of air.
- The extra width of the bathtub at the head end allows more space for arms and shoulders and is an advantage when shampooing. The double skin bathtub minimizes heat loss. TR 900 is delivered with an adjustable Foot support.



TR 900 Autofill model

TR 900 Cleaning model



All TR 900 HiLo panels can be delivered with a Stainless Steel bathtub as an option. The Stainless Steel tub has the same functional design as the standard TR 900 glass fibre tub and is manufactured in high quality steel (EN 1.4301).

Application Examples

Integrated with the TR 9650 Mobile Patient Combilift the system provides a safe moving and handling for both patient and attendant. During the bathing cycle the client never leaves the comfort and security of the chair or stretcher.



Specifications

Length	2325 /92"
Width	830 mm / 33"
Typical lift speed, no load	18 mm/s
Working Load Limit	150 kg (330 lbs)
Operating height range (bathtub)	600 - 1000 mm / 23" - 39"
Power Supply	230 V, 50 Hz / 110 V, 60 Hz
Overall weight (empty)	appr 265 kg

Bath models:

TR 900	Standard
TR 900 C	Cleaning System
TR 900 CW	Cleaning and Whirlpool System
TR 900 A	Autofill
TR 900 CA	Cleaning and Autofill
TR 900 CWA	Cleaning, Whirlpool and Autofill

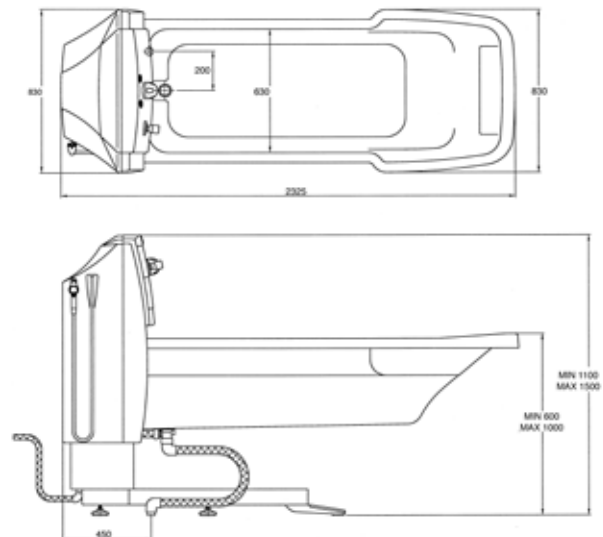
Options

Bathtub and panel can be packed as two units (one crate and one box)

Accessories

Transport wheel beam and set of loading ramp
Installation set TR 900, TR 900C/TR 900CW
Head pillow, Local treatment in combination with Whirlpool

Dimensions (mm)



Head office

TR Equipment AB, Sweden
Phone: +46 140 38 50 60
info@trequipment.se
www.trequipment.com

TR Group Inc

130 North Madison Street
Rockford, IL61107, USA
Phone: +1 (800) 752 6900
Email: information@trequipment.com
www.trequipment.com



TR EQUIPMENT