



# TR 2810

## Shower panel

Hygiene Equipment  
Designed for People

### TR 2810 Complete Shower System, with thermostatic mixing valve

TR 2810 is a shower panel with thermostatic mixing valve and a separate cleaning system that together with TR shower trolleys fulfill a complete shower system. This system means care is comfortable, safe and hygienic for both resident and attendant. TR 2810 is now available with a mechanical lock for cleaning detergent bottle (option).



Registered at Medical Products Agency, Sweden, as a MD Class 1 product, MDD 93/42EEC.

TR reserves the right to make design changes and/or improvements without notice.



TR 2810 is a shower panel with a built in thermostatic mixing valve and separate on/off valves for the shower system and the cleaning system. The cleaning system runs on cold water to minimize inhalation when cleaning equipment, the panel has a built in bottle for cleaning detergent. TR 2810 is now available with a mechanical lock for cleaning detergent bottle (option).

The TR 2810 together with TR shower trolleys is a combined shower system which gives both resident and attendant comfortable hygienic care with high quality.



**TR EQUIPMENT**



# TR 2810

## Shower panel

Hygiene Equipment  
Designed for People

### Features

#### Easily operated

- Easily operated thanks to clear and clean design.

#### Cleaning system

- Intergrated hygienic and safe cleaning system for easy cleaning of equipment.

#### Cleaning detergent

- Built in bottle for cleaning detergent which are automatically mixed with cold water in the cleaning system.

#### Shower hose thermometer

- Thermometer on the shower hose available as option to read shower temperature.

#### Hot and cold water supply for patient shower:

- Thermostatic mixer
- Valve for patient shower
- Shower spray handle
- Patient shower hose white

#### Cold water supply, for cleaning:

- Safety valve for equipment cleaning
- Cleaning spray handle. **Note:** Never to be used on patients.
- Cleaning shower hose yellow
- Cleaning detergent filling
- Cleaning flow setting valve inside panel

#### Option

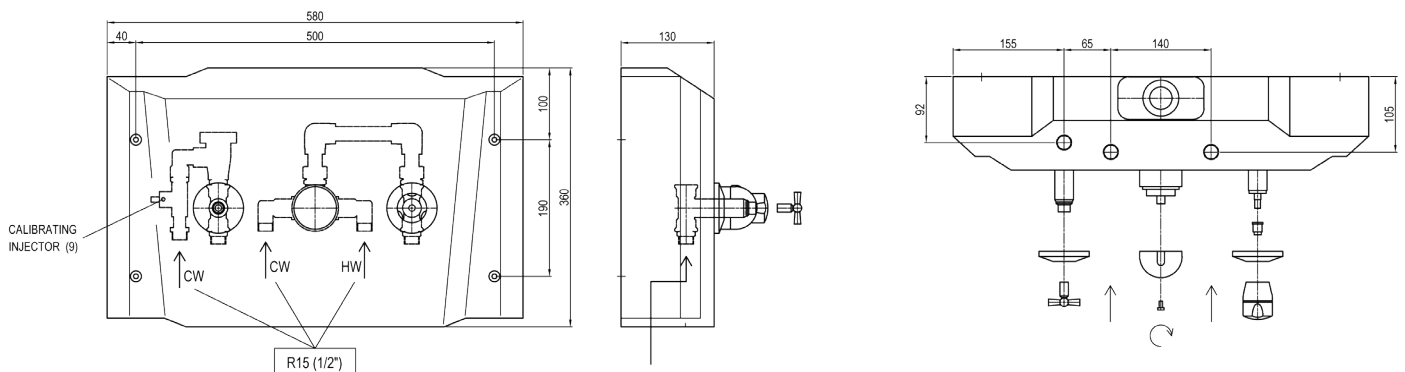
- TR 2810 is now available with a mechanical lock for cleaning detergent bottle.

### Specifications



<b>Width</b>	580 mm/23"
<b>Height</b>	360 mm/15"
<b>Depth</b>	130 mm/5"
<b>Recommended mounting height from floor</b>	1250 mm/49"
<b>Min. Dynamic water pressure</b>	0,15 Bar
<b>Max. Dynamic water pressure</b>	5 Bar

### Dimensions (mm)



#### Head office

TR Equipment AB, Sweden  
Phone: +46 140 38 50 60  
info@treqipment.se  
[www.treqipment.com](http://www.treqipment.com)

#### Group Subsidiaries

TR Group Inc, US, Phone: +1 (800) 752 6900  
TR Equipment Ltd, UK, Phone: +44 (0) 844 335 8386  
TRanspoRehaMed GmbH, Germany, Phone: +49 (0) 212 645850-0



TR EQUIPMENT