

Dallas

Bariatric Shower and Commode Chair

*Hygiene Equipment
Designed for People*

Rebotec Dallas

A durable, long lasting bariatric shower chair with an easy-to-clean design. Polyamide nylon construction with stainless steel fasteners guarantees no rust.



Registered at Medical Products Agency, Germany, as a MD Class 1 product, MDD 93/42EEC.

TR reserves the right to make design changes and/or improvements without notice.

It has soft and durable polyurethane seat for comfortable seating and easy cleaning. Removable rear support and seat cover for toileting. Shower-commode chair with 5" castors. Hygiene opening can easily be moved from the front to the back. Hygiene bucket with vacuum seal top included.



TR EQUIPMENT

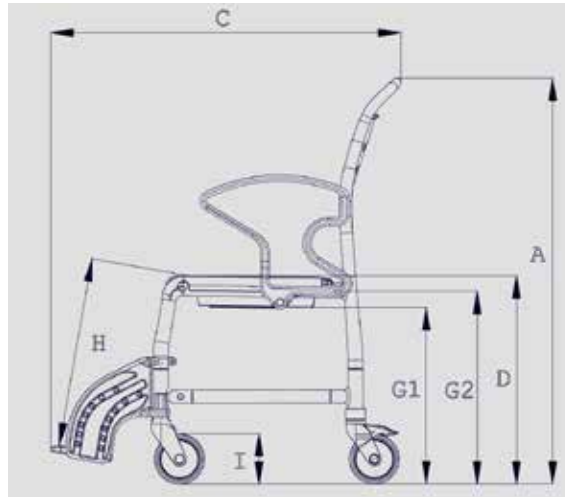
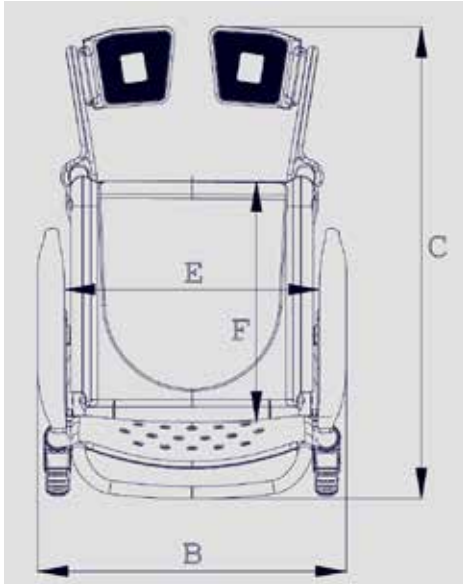


Dallas

Bariatric Shower and Commode Chair

Hygiene Equipment
Designed for People

Dimensions



Technical specifications

Dimensions		
A. Height	104 cm	41"
B. Width	74 cm	29"
C. Depth	90 cm	35,4"
D. Seat height	56 cm	22"
E. Seat width	64 cm	25"
F. Seat depth	48 cm	19"
G1. Max. height toilet (with pan receptacle)	45 cm	17,7"
G2. Max. height toilet (without pan receptacle)	48 cm	19"
H. Foot height	38 - 53 cm	15" - 21"
I. Castor	13 cm	5"
Body weight max.	200 kg	440 lbs
Product weight	22 kg	48 lbs

Equipment

- Ergonomically shaped backrest with integrated hand grip for caregiver aid
- Swinging armrests enable easy side transfer
- Hygiene opening can easily be moved from the front to the back
- Height adjustable, swinging and removable foot supports standard
- 5" hospital grade swiveling and locking castors for secure transfers
- Soft and durable polyurethane seat allows for comfortable seating and easy cleaning
- Polyamide nylon construction with stainless steel fasteners guarantees no rust
- Hygiene bucket with vacuum seal top included
- Approved up to 440 lbs body weight
- Five year warranty on frame for long lasting confidence.

Accessories

- Safety Belt, for chest and waist
- Belt Comfort Pad
- Arm rest
- Splash-Protection

Art no

322.30.20
322.10.50
440.10.32
440.10.40

Head office
TR Equipment AB, Sweden
Phone: +46 140 38 50 60
info@trequipment.se
www.trequipment.com

TR Group Inc
130 North Madison Street
Rockford, IL61107, USA
Phone: +1 (800) 752 6900
Email: information@trequipment.com
www.trequipment.com



TR EQUIPMENT